

Products / Customized

- Tube Bender
- End-former
- Tube cutter
- Robot
- Machining Center
- Work-cell Integration



Cutting Solutions



End-Forming Solutions



Machining Center



World Leading Tube Bender

Smart Automation Solutions

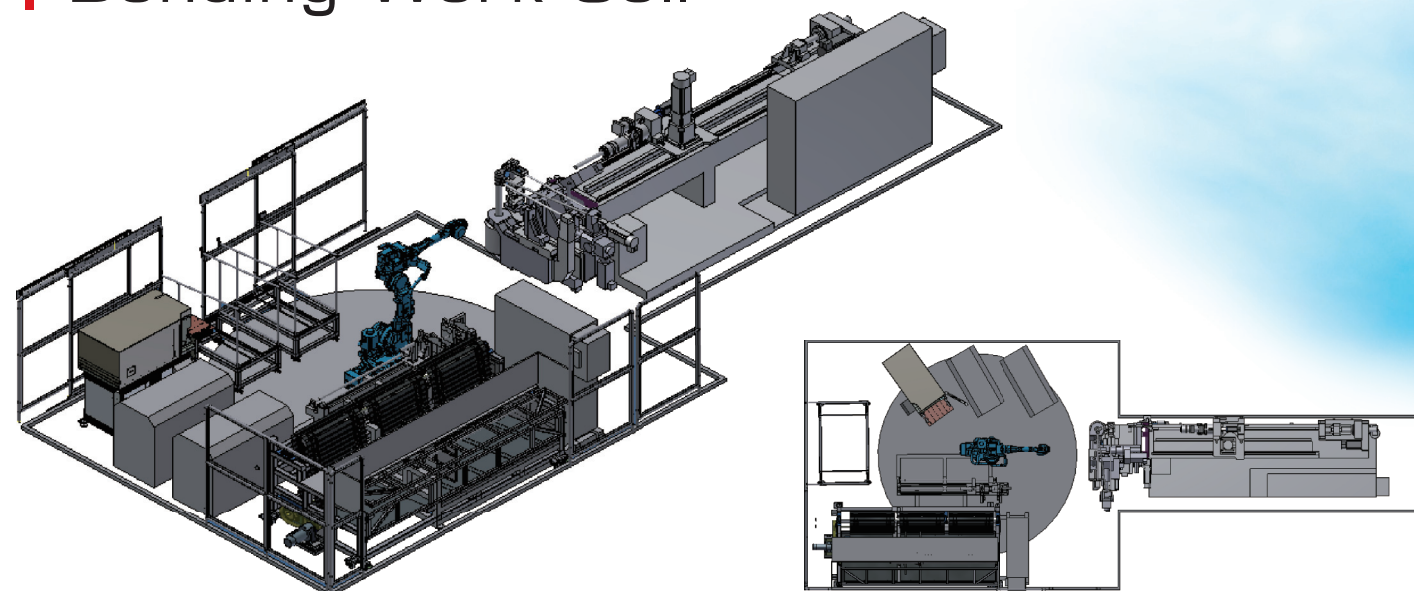


CE ISO 9001 ISO 2000

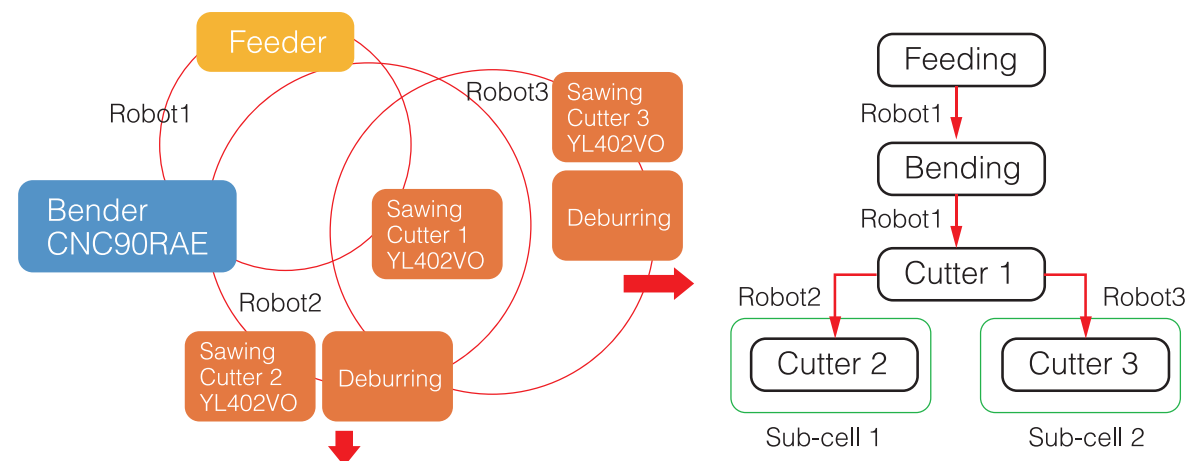
Ying Han Technology Co., Ltd.

Tel : +886-6-384 3188 www.ylm.com.tw sales@ylm.com.tw
Fax: +886-6-384 3205 www.hannsa.tw sales@hannsa.tw

Bending Work Cell



Professional Suggestion



Service with Commitment

✓ Outstanding Machinery Integration Solutions



✓ Excellent Support & Long-Term Partnership



✓ Leading Technologies



✓ Global Services



✓ Leading Customized Solutions



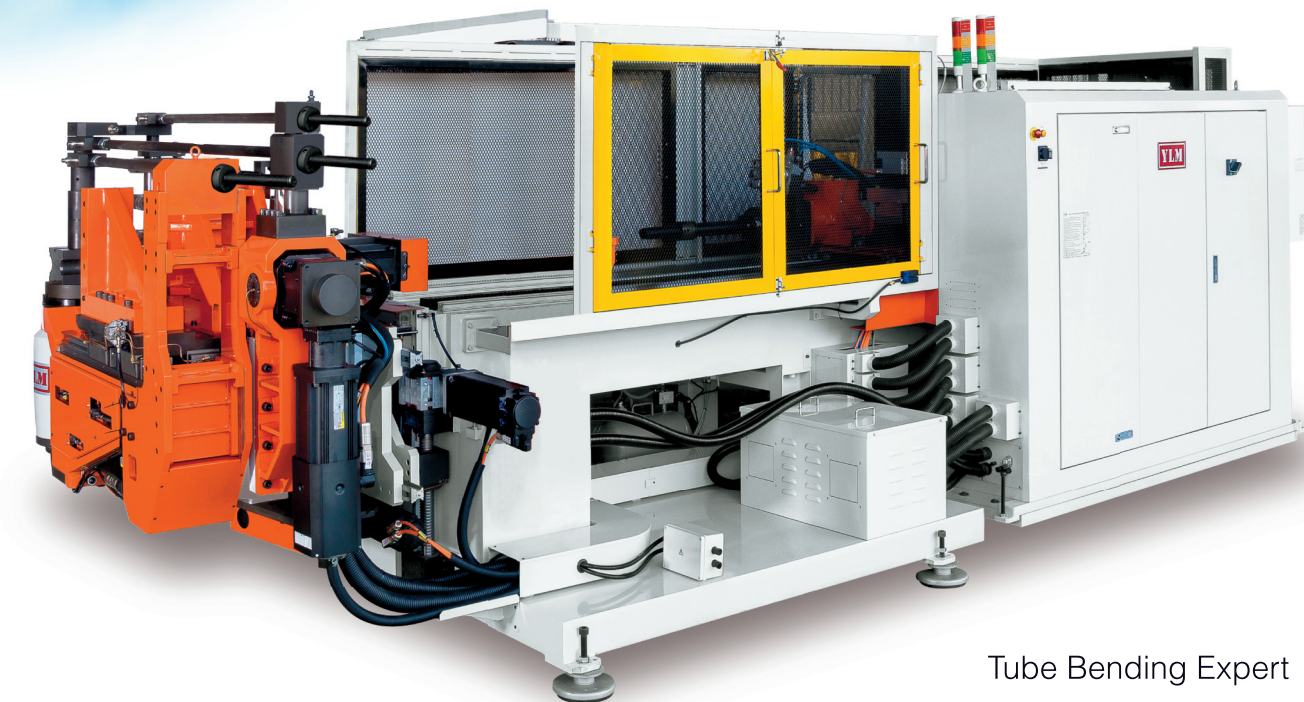
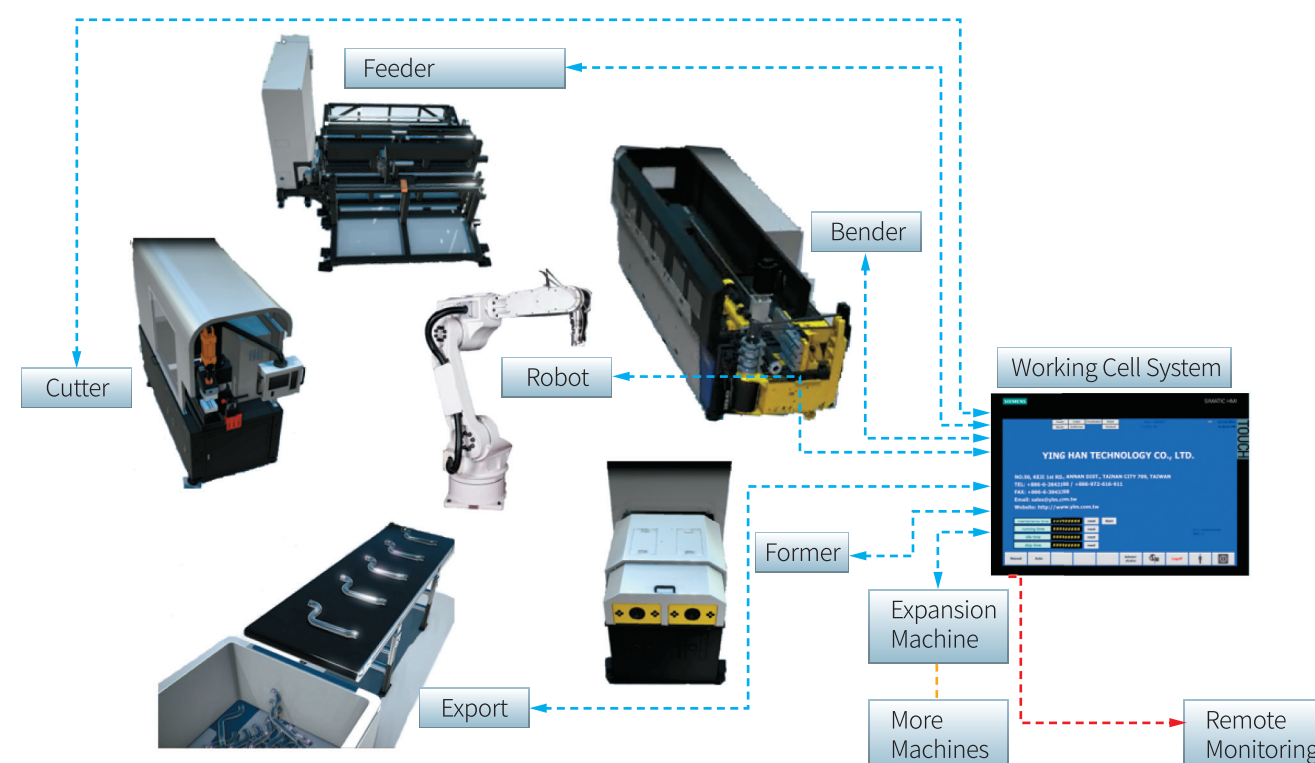
✓ Productivity Optimization



We deliver innovative, world-class machinery, service, and support to fulfill all your smart tube bending needs.

- Premier Provider of Custom Tube Forming Solutions Since 1976
- Global Leader with Close International Partnerships

Intelligent Productions:



Your Supportive Partner

We offer cutting-edge, intelligent automation solutions fit with unique CNC interface software. With four decades of technical expertise, our specialists provide extensive customization options and work with customers to improve machines together.

With YLM you not only get state-of-the-art machines but also an all-around after-sales service, as we really focus on our customers. We have a global service network with highly experienced service teams.

- 20 Global Offices (local service center)
- 24/7 Service and Support (in local language)
- Experienced Service Representatives
- Efficient Communication with TW Headquarters
- No Language Barriers